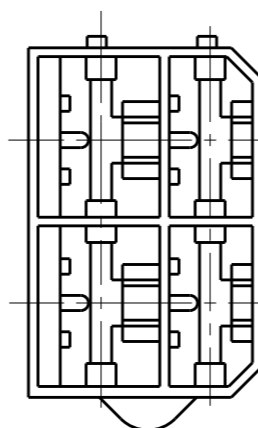
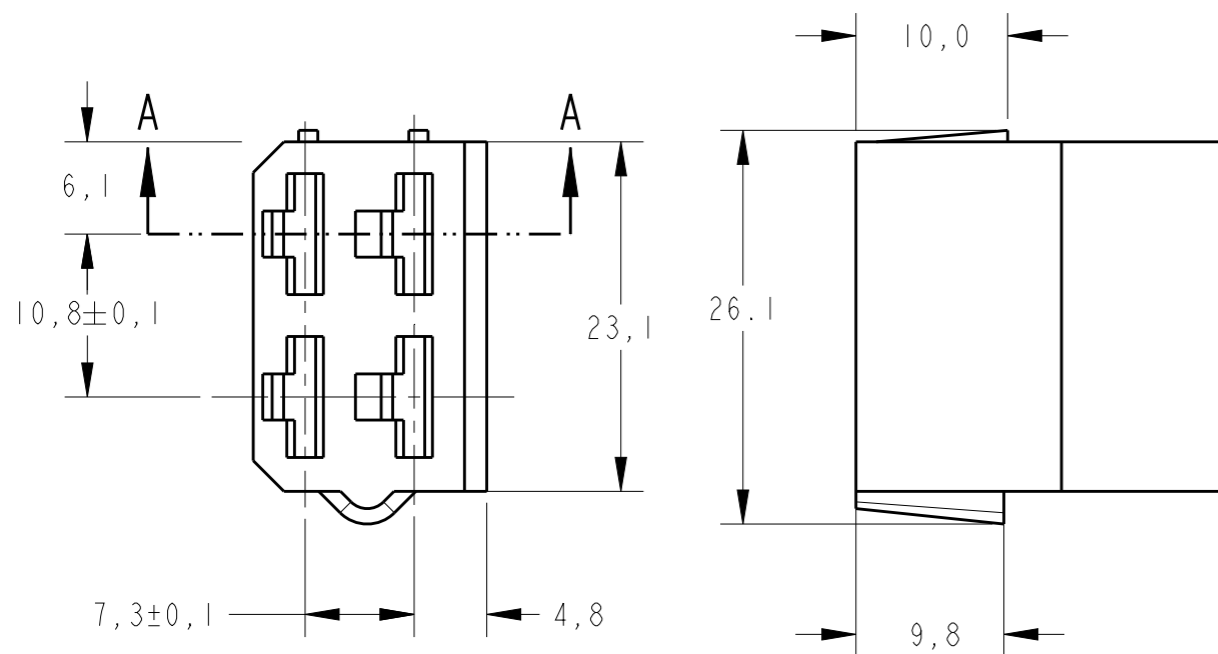


THIS DRAWING IS UNPUBLISHED. RELEASED FOR PUBLICATION 20
 © COPYRIGHT 20 BY - ALL RIGHTS RESERVED.

REVISIONS

| P | LTR | DESCRIPTION | DATE | DWN | APVD |
|---|-----|--------------------------|------------|-----|------|
| | F2 | REVISED BY ECO 16-008371 | 25JULY2016 | HC | WLS |

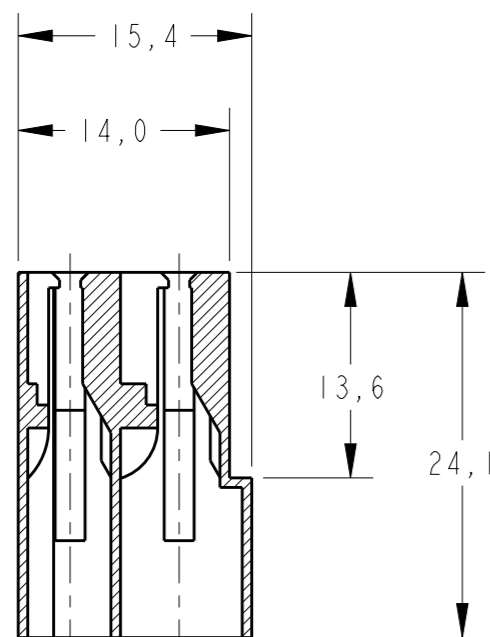
CAD
Pro-E
 DO NOT REVISE
 EXCEPT BY CAD



- 1 - ESPESSURA DE PAREDES NAO ESPECIFICADAS 0,6.
 - ALL UNSPECIFIED WALL THICKNESSES.
- 2 - INTERCAMBIÁVEL COM PN.180900.
 - INTERCHANGEABLE WITH.

3 - MATÉRIA PRIMA CONFORME ESPECIFICAÇÃO IEC 60335-1, GWT 750°C, SEM CHAMA.
 RAW MATERIAL ACC. TO SPEC. IEC 60335-1, GWT 750°C, WITHOUT FLAME.

| OBSOLETE | NATURAL | 3 NYLON 6.6 V 0 | 2 880110 0 |
|----------|-------------------------------|-----------------|----------------|
| OBSOLETE | VIOLETA TINGIDO / DYED VIOLET | | 1 - 880110 - 8 |
| OBSOLETE | CINZA TINGIDO / DYED GRAY | | 1 - 880110 - 7 |
| OBSOLETE | MARROM TINGIDO / DYED BROWN | | 1 - 880110 - 6 |
| OBSOLETE | PRETO TINGIDO / DYED BLACK | | 1 - 880110 - 5 |
| OBSOLETE | AMARELO TINGIDO / DYED YELLOW | | 1 - 880110 - 4 |
| OBSOLETE | AZUL TINGIDO / DYED BLUE | | 1 - 880110 - 3 |
| OBSOLETE | VERDE TINGIDO / DYED GREEN | | 1 - 880110 - 2 |
| OBSOLETE | VERMELHO TINGIDO / DYED RED | | 1 - 880110 - 1 |
| OBSOLETE | CINZA ESCURO / DARK GRAY | | 1 - 880110 - 0 |
| OBSOLETE | LARANJA / ORANGE | | 880110 - 9 |
| OBSOLETE | VIOLETA / VIOLET | | 880110 - 8 |
| OBSOLETE | CINZA / GRAY | | 880110 - 7 |
| OBSOLETE | MARROM / BROWN | | 880110 - 6 |
| OBSOLETE | PRETO / BLACK | | 880110 - 5 |
| OBSOLETE | AMARELO / YELLOW | | 880110 4 |
| OBSOLETE | AZUL / BLUE | | 880110 - 3 |
| OBSOLETE | VERDE / GREEN | | 880110 - 2 |
| OBSOLETE | VERMELHO / RED | | 880110 1 |
| | NATURAL / NATURAL | NYLON 6.6 | 880110 - 0 |
| | COLOR | MATERIAL | PART NUMBER |



SECTION A-A

THIS DRAWING IS A CONTROLLED DOCUMENT.

| | | | |
|--------------------|--|---|---|
| DIMENSIONS: mm | TOLERANCES UNLESS OTHERWISE SPECIFIED: 0 PLC ± 1 PLC ±0,5 2 PLC ± 3 PLC ± 4 PLC ± ANGLES ±1° | DWN M.R.BRIZ 19NOV99 CHK P.L.FARIA APVD F.ALEXANDRONI PRODUCT SPEC APPLICATION SPEC WEIGHT | TE Connectivity NAME HSG. 4 POSITION, FAST-IN-ON RCPT. SIZE A3 CAGE CODE 00779 DRAWING NO C-880110 RESTRICTED TO |
| MATERIAL SEE TABLE | FINISH | CUSTOMER DRAWING | SCALE 2:1 SHEET 1 OF 1 REV F2 |